



Part no.: 50024127
TK 82.2
Reflector



Figure can vary

Contents

- Technical data
- Dimensioned drawings
- Accessories



Part no.: 50024127 – TK 82.2 – Reflector

Technical data

Mechanical data	
Design	Round
Mounting dimension, thickness	8.5 mm
Triple reflector size	4 mm
Mounting dimension, diameter	82 mm
Reflection surface diameter	79 mm
Reflector material	Plastic
Material of base material	Plastic
Chemical designation, reflector material	PMMA8N
Structure, active surface	Triple
Net weight	30 g
Type of fastening	Through-hole mounting Adhesive
Type of reflector	Reflector

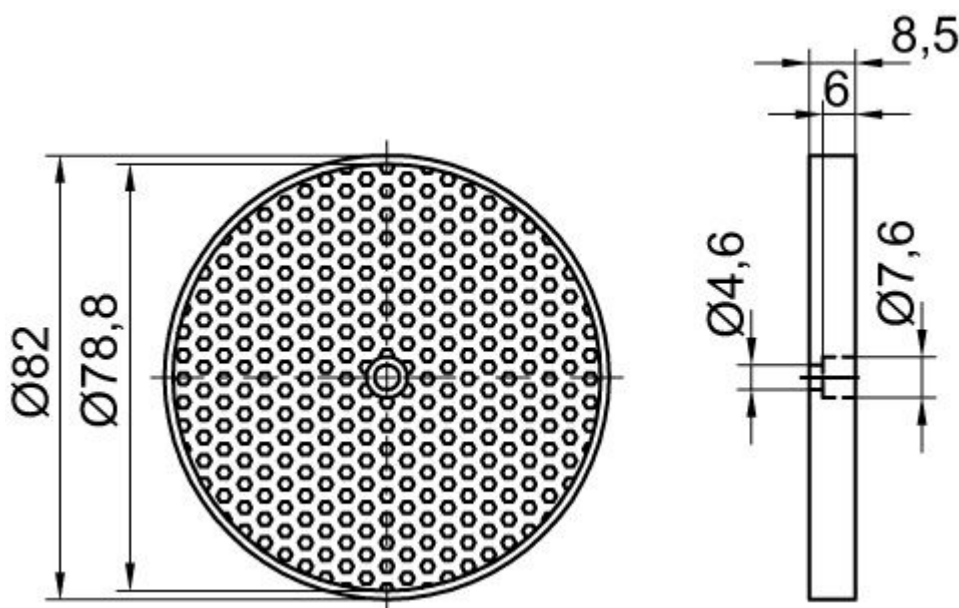
Environmental data	
Ambient temperature, operation	-40 ... 70 °C

Certifications	
Degree of protection	IP 67

Classification	
eCl@ss 8.0	27279203
eCl@ss 9.0	27273601
ETIM 5.0	EC002467

Dimensioned drawings



All dimensions in millimeters



Part no.: 50024127 – TK 82.2 – Reflector

Accessories

Mounting technology - Rod mounts

	Part no.	Designation	Article	Description
	50122797	BTU 346M-D12	Mounting system	Contains: 2x M4 x 25 screw, 2x position washers Design of mounting device: Mounting system Mounting bracket, at system: For 12 mm rod, Sheet-metal mounting Mounting bracket, at device: Screw type Type of mounting device: Turning, 360°, Clampable, Adjustable Material: Metal
	50122798	BTU 346M.5-D12	Mounting system	Design of mounting device: Mounting system Mounting bracket, at system: For 12 mm rod, Sheet-metal mounting Mounting bracket, at device: Screw type Type of mounting device: Turning, 360°, Clampable, Adjustable Material: Stainless steel